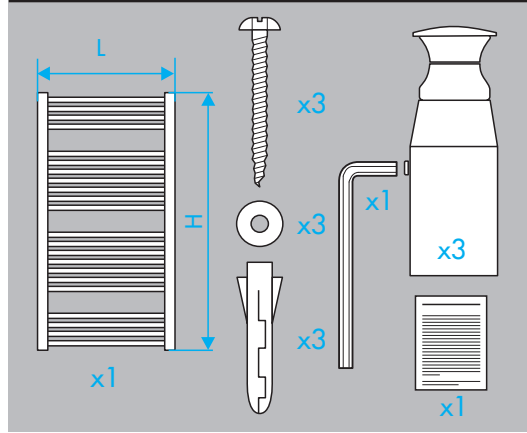
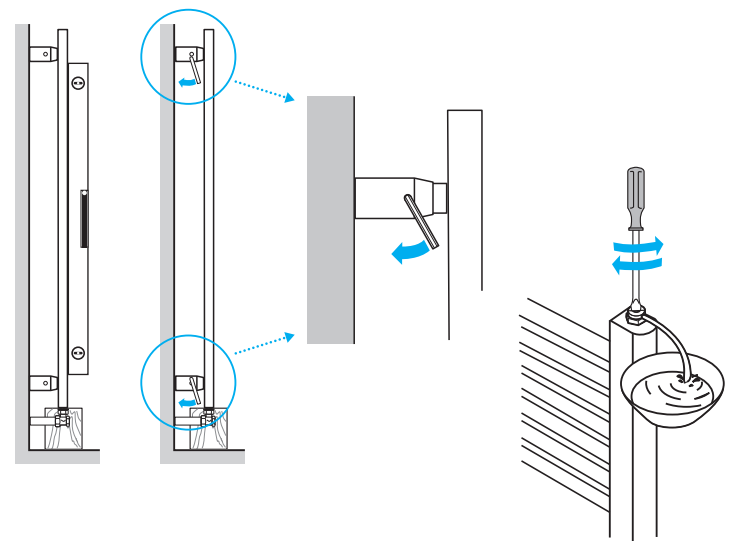
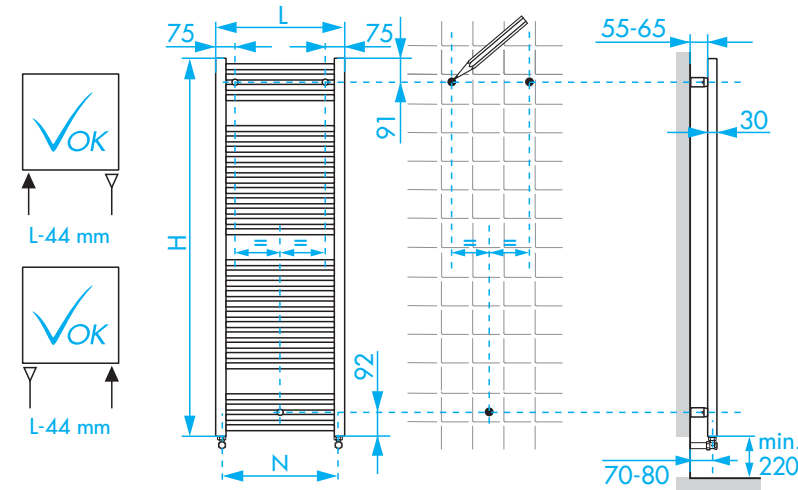
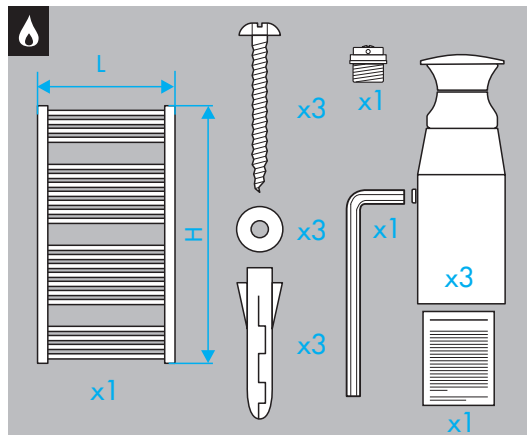
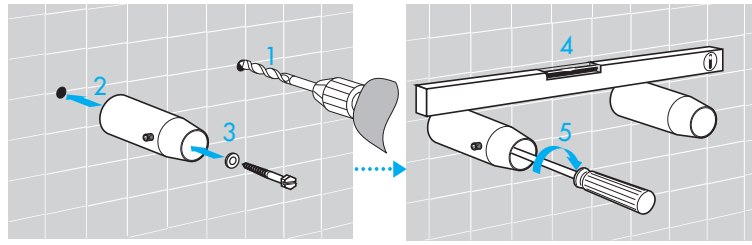
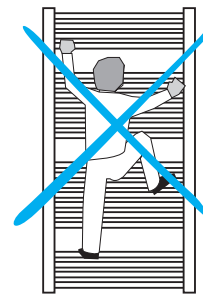
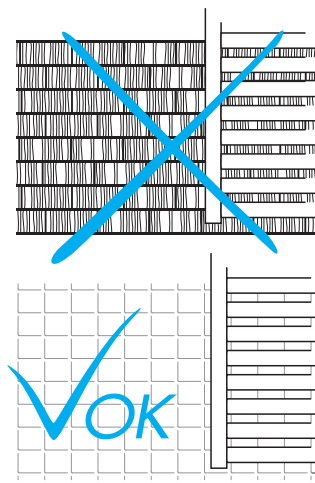
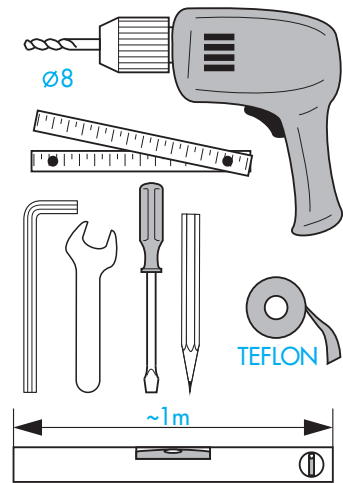


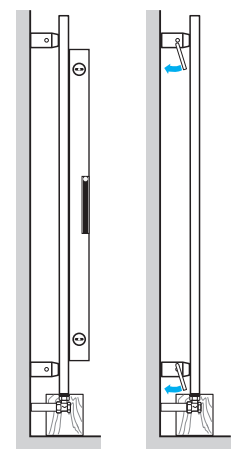
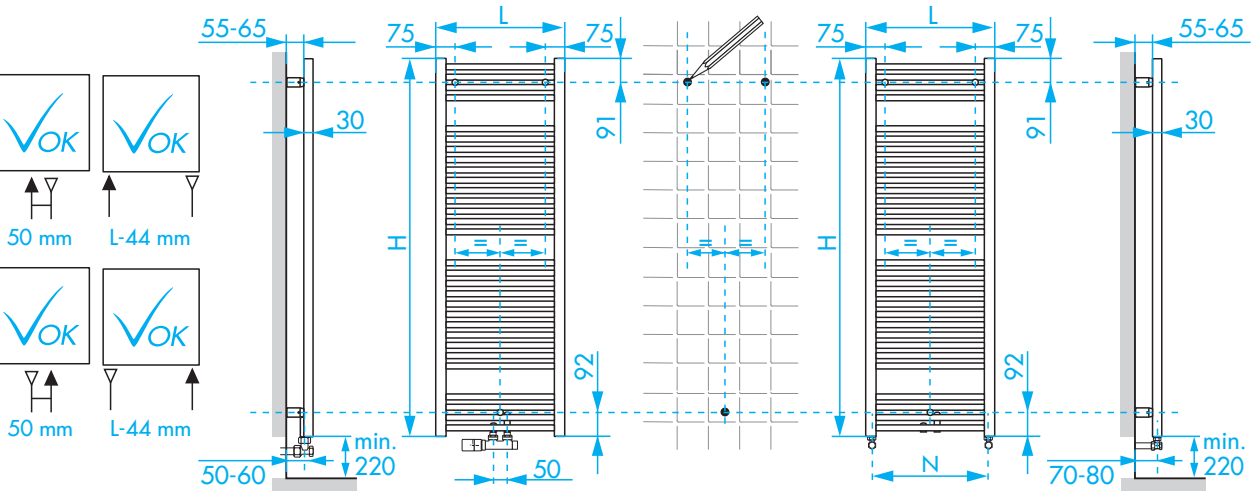
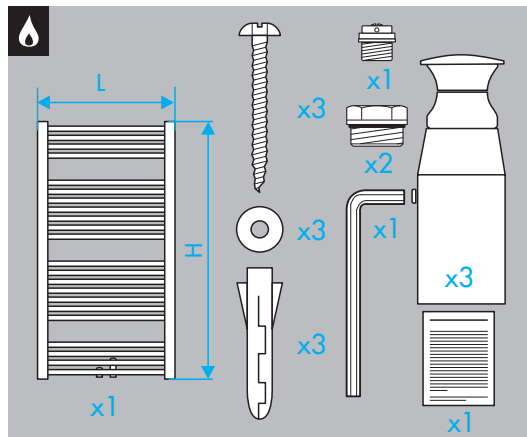
# TYPE MP50



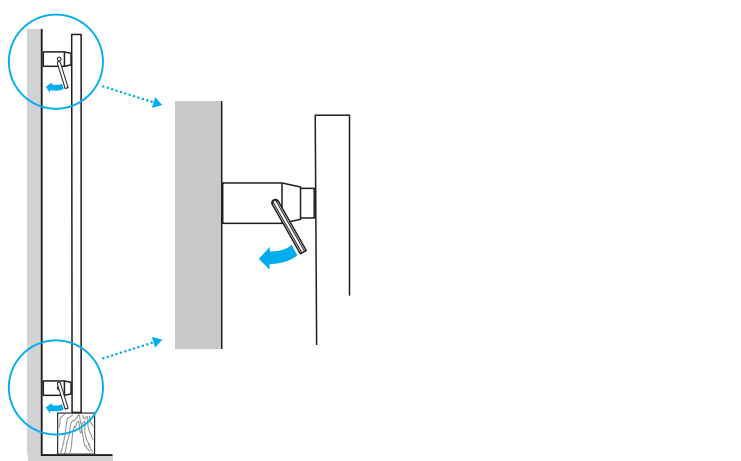
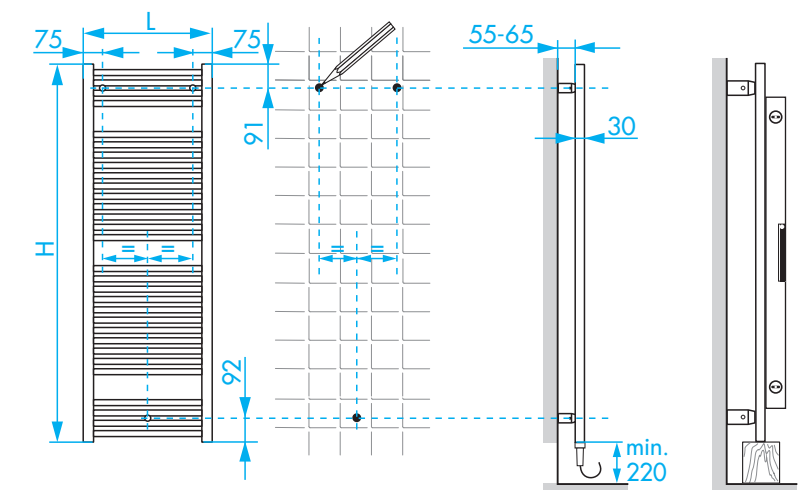
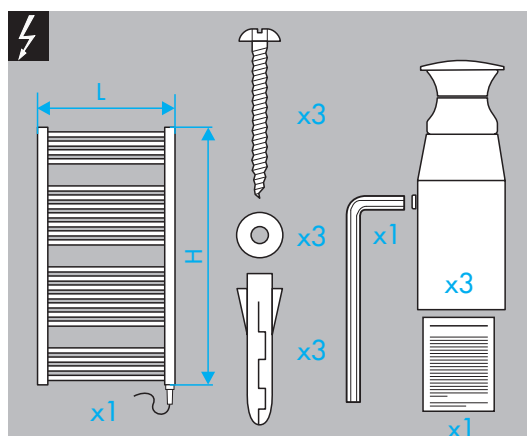
40004178  
© Copyright by PBO 08/17



L	450	500	550	600	750
N = L - 44	406	456	506	556	706
H	786	1226	1466	1866	

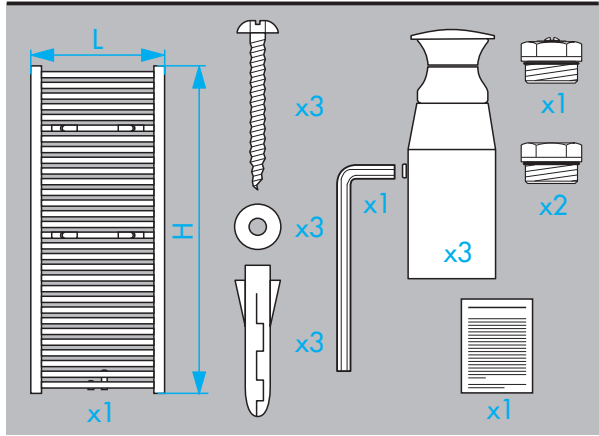


L	450	500	550	600	750
N = L - 44	406	456	506	556	706
H	786	1226	1466	1866	

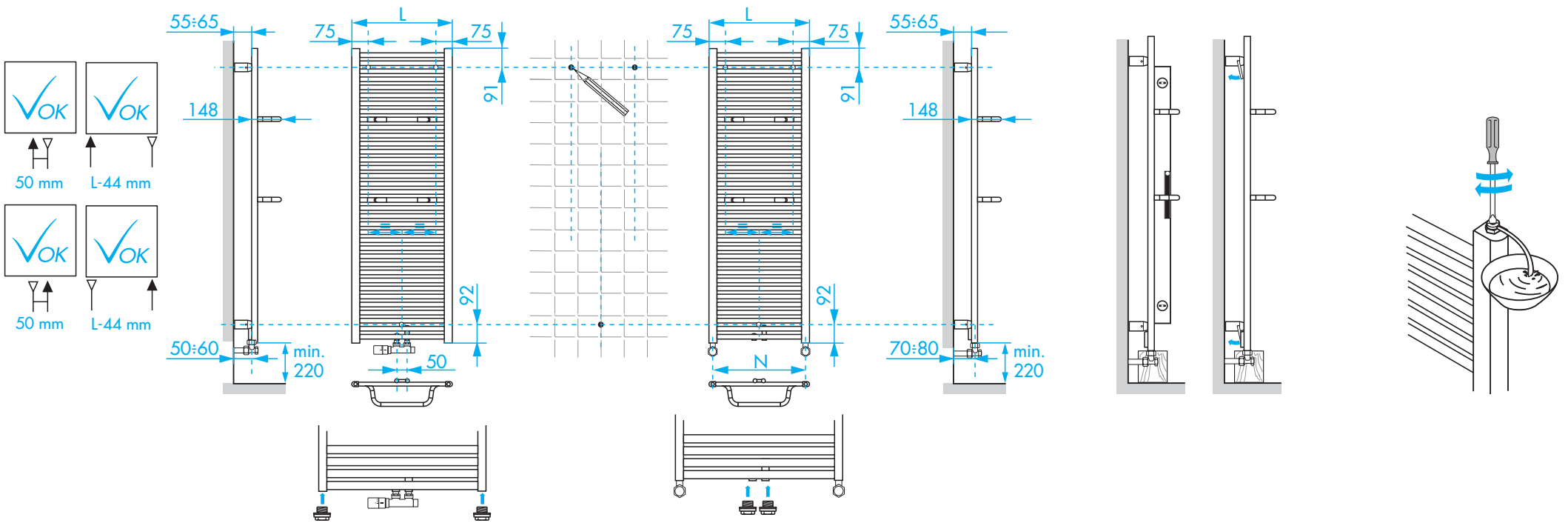
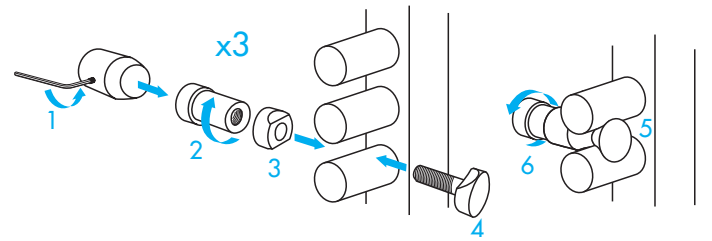
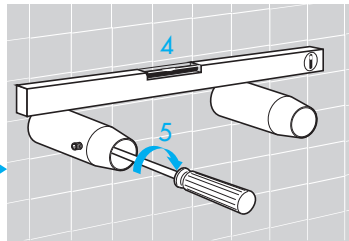
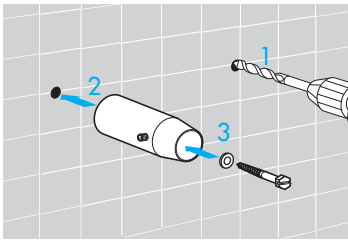
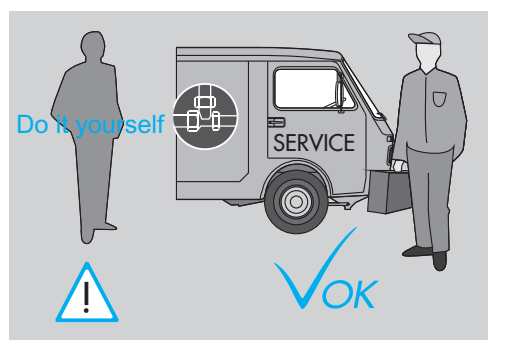
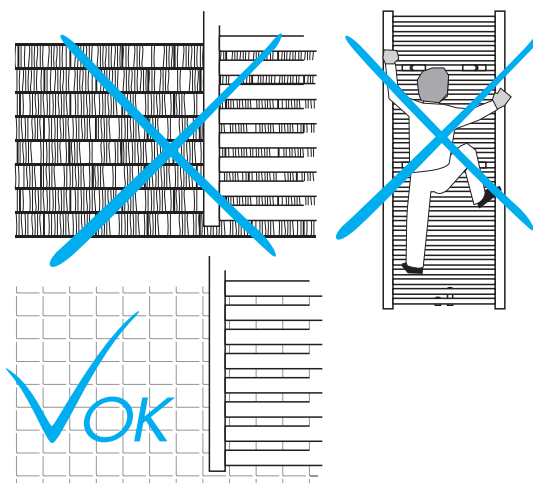
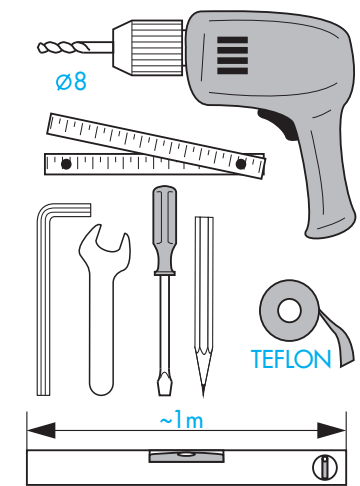


L	450	500	550	600	750						
H	746	786	866	946	1226	1306	1466	1546	1706	1786	1866

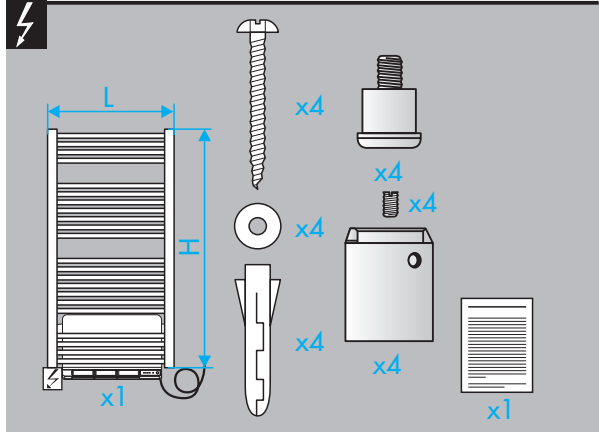
# TYPE P50U



L	450	500	550	600	750
N = L - 44	406	456	506	556	706
H	786	1226	1466	1866	



# TYPE P52-EF



L	500	600		
L1=L-42	456	556		
H	946	1306	1546	1786
H1=H-226	720	1080	1320	1560

