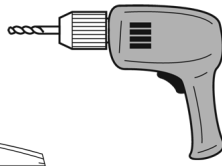
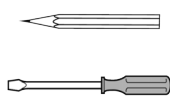
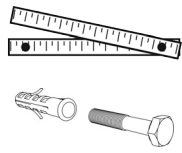
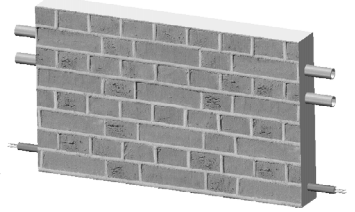


40019767

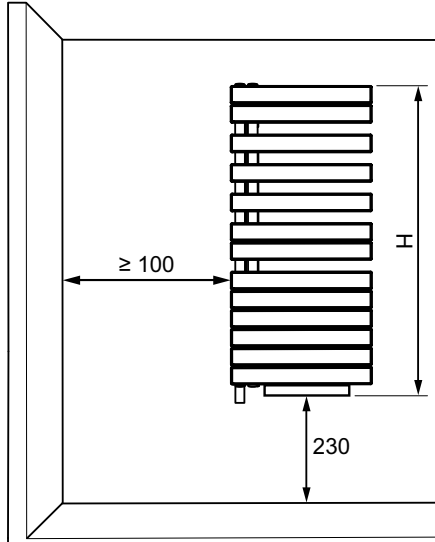
Instructions de montage originales
Original mounting instruction

18/11/24
11/18/24

PVA
PVA



TXCL / TXCR (IFS)



P(w)	H	A
500	873	698
750	1251	1076
1000	1754	1579

